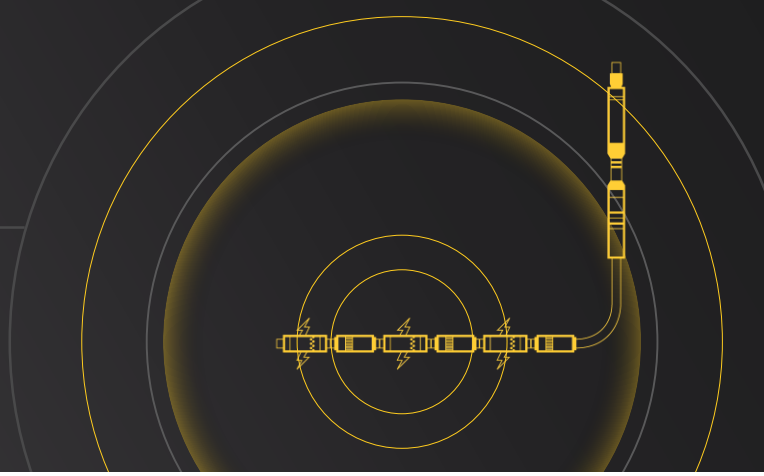


TECH DATA SHEET

Frontier Drop off Mandrel & Tie Back Receptacle



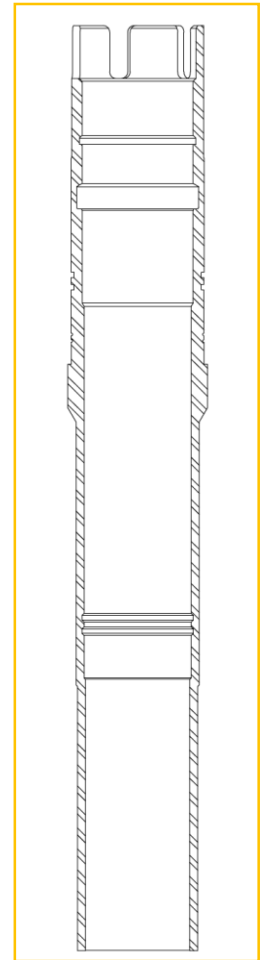
OVERVIEW

The Drop Off Mandrel is a device that allows equipment to be run in hole and released and left down hole without the requirement of a Liner Hanger Packer in Cemented & Non-Cemented Applications. The Drop Off Mandrel can be rotated to bottom if required & accommodate Tie Back Receptacle of varying lengths to allow the connection of Upper Production Strings when required.

The Drop Off Mandrel is Deployed on the Gen II Hydraulic Release Liner Hanger, Mechanical release option Running Tools are available if required.

FEATURES

- Multiple Sizes Available
- No Moving Parts
- No Internal Connection, Removing all Leak Paths
- Simple Robust and Reliable
- Rotatable with 20,000ft/lbs (Minimum) Torque Through Capability Depending on Size
- Interchangeable Tie Back Receptacle Lengths
- Full Liner ID (No Restrictions)
- No Pressure Rating Limitations (Matching Liner)
- Tensile, Burst & Collapse Matching Liner
- Available in all Materials
- Soft Set with Hydraulic Running Tool



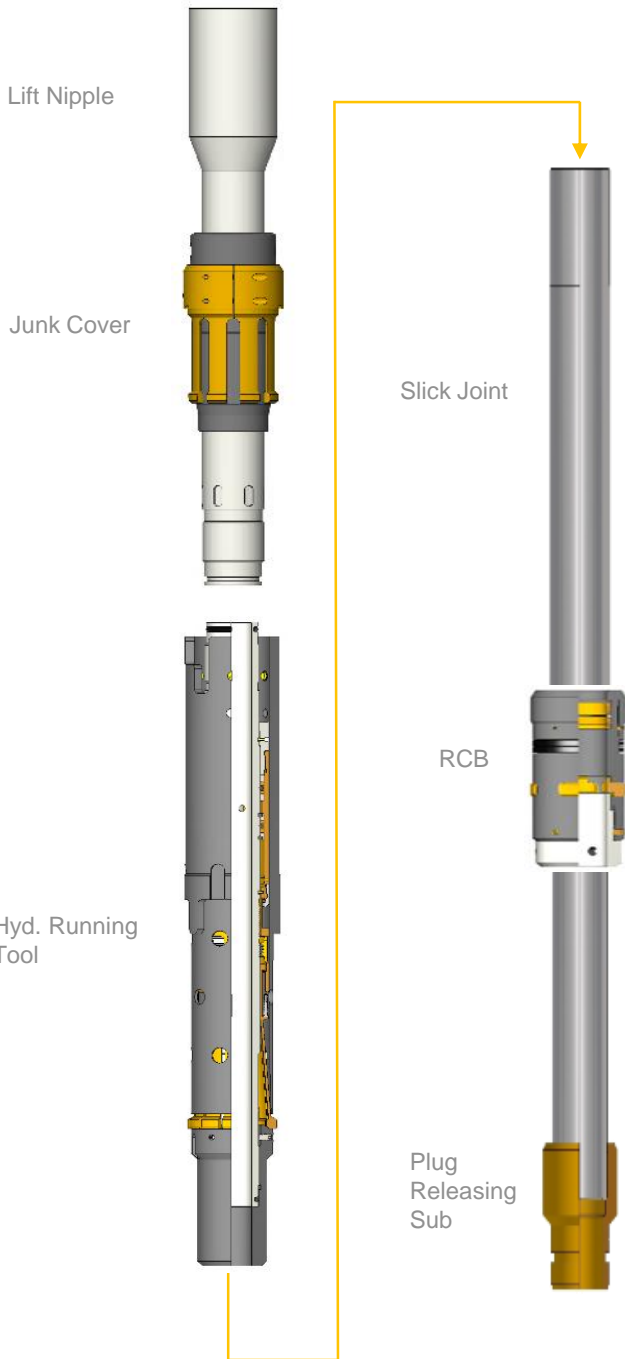
Specifications and Dimensions for Drop Off Mandrel & Tie Back Receptacle

Liner Size	OD	ID	Ball Size	TBR Lengths	TBR Seal Bore ID	Threads	Material	Tensile
4-1/2"	5.69"	As Per Liner	1.50"	10-20ft	5.000"	As Required	As Required	As Per Liner
5"	5.75"	As Per Liner	1.50"	10-20ft	5.250"	As Required	As Required	As Per Liner
5-1/2"	8.25"	As Per Liner	2.50"	10-15ft	7.375"	As Required	As Required	As Per Liner
7"	8.25"	As Per Liner	2.50"	10-15ft	7.500"	As Required	As Required	As Per Liner



Drop Off Mandrel System Hook Up

Running Assembly



Drop Off Assembly

