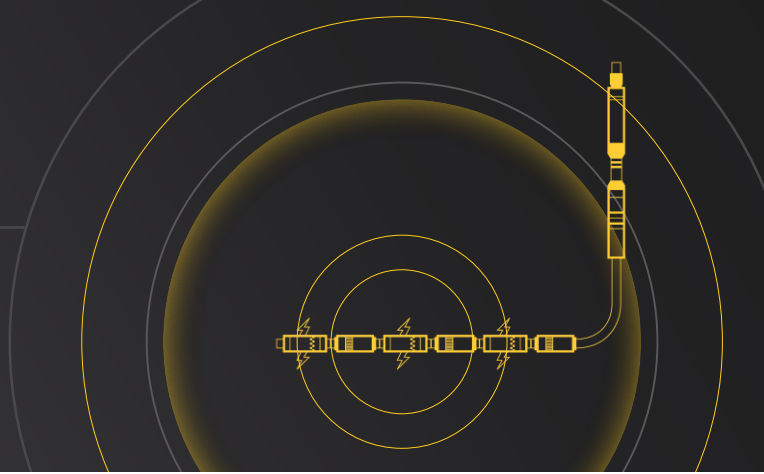


TECH DATA SHEET

F1 HIGH CAPACITY LINER HANGER PACKER

5" x 7"



OVERVIEW

F1 Rotating High Capacity Liner Hanger-Packer utilizes multiple sets of constrained slips to enable increased load rating. Constrained slips also allow for rotation while running the liner downhole, and are held firmly to the cone preventing slip damage.

FEATURES

- Multiple slip sets provide for increased load rating
- Allows rotation while running
- Fully hardened, mechanically constrained slips
- Integral Liner Packer and Liner Hanger provides the shortest in the industry overall length for use in deviated applications
- Reliable hydraulic slip activation
- No weld construction and Non-swabbing, bonded packing element
- Field adjustable setting pressures
- Equipped with a positive stop to prevent the cylinder from over stroking
- A premium double threaded locking ring system assures the packing element stays firmly set and sealed
- 10,000 PSI differential pressure rating, 300 F temperature rating
- V3 Rated

F1 High Capacity Liner Hanger Packer



Other sizes are available on request.
ID may vary depending on connecting configuration selected.

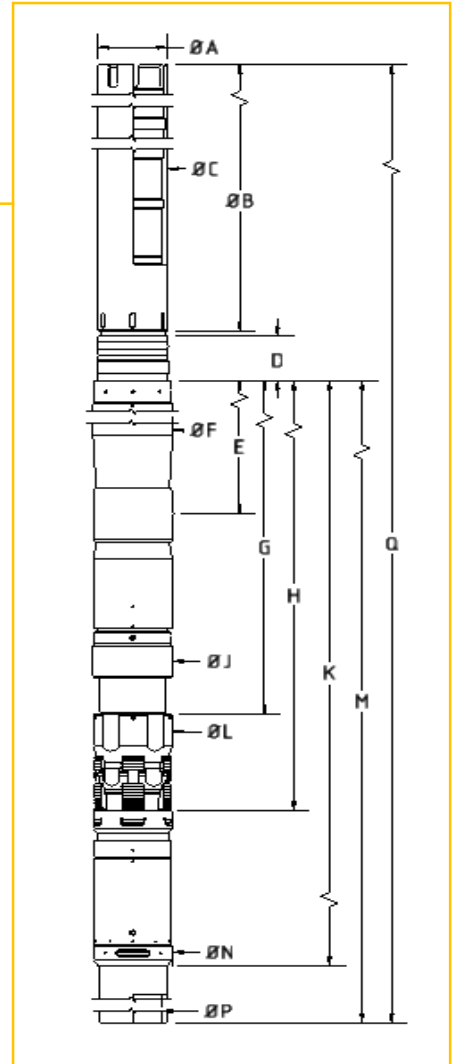
Liner Size	Casing Size	Casing Weight Range		Max. OD Packer	
		lbs/ft	kg/m	in	mm
5"	7"	26 - 29	38.77 – 43.24	5.97	151.638
		29- 32	43.24 - 47.72	5.89	149.606



5" X 7" 26-29# Dual Cone Liner Hanger Packer, 5.970" OD, 80 Duro Packer Type HNBR Element, 7" Pin Down, 5.250" ID TBR and Setting Adapter with RCB Profile

Dimensions Map
Dimensions & Additional Specifications

Dimensions, in (mm)	
ØA	5.210 (132.334)
ØB	42.75 (1,085.85)
ØC	4.50 (114.3)
ØD	3.950 (100.33)
ØE	22.28 (565.912)
ØF	5.970 (151.638)
G	38.42 (975.868)
H	47.01 (1,194.054)
J	5.970 (151.638)
K	60.70 (1,541.78)
L	5.890 (149.606)
M	74.70 (1,897.38)
N	5.890 (149.606)
ØP	Varies on Liner Size
Q	121.87 (3,095.498)



PERFORMANCE RATINGS

Casing			Hanging Capacity A				Bypass Area	
OD	Weight Range	Weight	L80 B	T95 B	P110 B	Q125 B	Unset	Set
in	lb/ft	lb/ft	lbs	lbs	lbs	lbs	sq in	sq in
7	26.00 - 29.00	26	173,000	205,000	238,000	270,000	2.94	2.94
		29	224,000	266,000	308,000	350,000	2.04	2.04
	29.00 - 32.00	29	224,000	266,000	308,000	350,000	2.04	2.04
		32	270,000	321,000	372,000	422,000	1.17	1.17

A Safety factors and combined loading effects excluded
 B Ratings are based on host casing grades
 C Bypass area is the minimum of cone, cylinder or gauge rings



CYLINDER RATINGS

Casing		Cylinder*		
OD	Weight	Yield	Burst	Collapse
in	lb/ft	ksi	psi	psi
7	26.00 - 32.00	80	9,200	8,300
		95	11,000	9,800
		110	12,700	11,400
		125	14,400	12,900
		150	17,300	15,500

* Safety factors and combined loading effects excluded

PACKER AND HANGER RATINGS

	L80	T95	P110	Q125
Max Hydraulic RT Carrying Capacity (lbs)	213,000	225,000		
Max Mechanical RT Carrying Capacity (lbs)	218,000	259,000	299,000	340,000
Max Compression (lbs)	60,000			
Max Hold-Down Capacity (lbs)	n/a			
Standard Setting Weight (lbs)	35,000			
Max Differential Pressure (psi)	10,000			



MANDREL RATINGS NOMINAL

Liner Hanger Size			Mandrel A/B/C					Torque ft-lbs
OD	Weight	ID	Yield	Burst	Collapse	Tensile (Packer)	Tensile (Hanger)	
in	lb/ft	in	ksi	psi	psi	lbf	lbf	
5	15	4.408	80	5,800	5,400	114,400	208,700	12,000
			95	7,000	6,500	135,900	247,800	
			110	8,100	7,500	157,300	287,000	
			125	9,200	8,500	178,800	326,100	
			150	11,000	10,300	214,600	391,400	
	18	4.276	80	8,300	7,500	186,400	280,700	
			95	9,800	8,900	221,400	333,400	
			110	11,400	10,300	256,400	386,000	
			125	12,900	11,700	291,300	438,700	
			150	15,500	14,100	349,600	526,400	
	20.3	4.184	80	10,000	8,900	235,300	329,600	
			95	10,900	10,500	279,500	391,400	
			110	13,700	12,200	323,600	453,300	
			125	15,600	13,900	367,700	515,100	
			150	18,800	16,700	441,300	618,100	
	23.2	4.044	80	12,600	10,900	307,700	402,000	
			95	15,000	13,000	365,499	477,400	
			110	17,400	15,000	423,100	552,800	
			125	19,800	17,100	480,800	628,200	
			150	23,800	20,500	577,000	753,800	

MANDREL RATINGS PREMIUM

Liner Hanger Size			Mandrel A/B/C					Torque ft-lbs
OD	Weight	ID	Yield	Burst	Collapse	Tensile (Packer)	Tensile (Hanger)	
in	lb/ft	in	ksi	psi	psi	lbf	lbf	
5	15	4.318	80	7,500	6,800	163,800	258,000	12,000
			95	8,900	8,100	194,500	306,400	
			110	10,300	9,400	225,200	354,800	
			125	11,700	10,700	255,900	403,200	
			150	14,100	12,900	307,100	483,900	
	18	4.185	80	10,000	8,800	234,800	329,100	
			95	11,800	10,500	278,800	390,800	
			110	13,700	12,200	322,900	452,500	
			125	15,600	13,900	366,900	514,300	
			150	18,700	16,600	440,300	617,100	
	20.3	4.094	80	11,700	10,200	282,100	376,400	
			95	13,900	12,100	335,100	447,000	
			110	16,100	14,000	388,000	517,600	
			125	18,300	15,900	440,900	588,200	
			150	22,000	19,100	529,100	705,900	
	23.2	3.954	80	14,400	12,200	352,900	447,200	
			95	17,100	14,500	419,100	531,100	
			110	19,800	16,800	485,300	615,000	
			125	22,500	19,100	551,500	698,800	
			150	27,000	22,900	661,800	838,600	

A Safety factors and combined loading effects excluded
 B All ratings are exclusive of thread and connection type
 C Ratings are based on Premium ID

